



Description

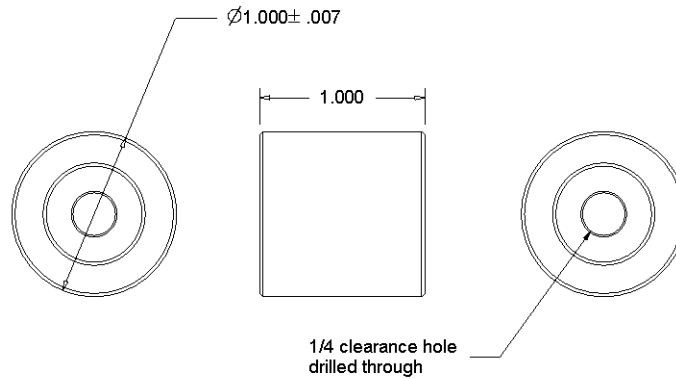
These 1" diameter round standoffs are endlessly useful. Use 1/4-20 threaded studs to create longer lengths.

Features

- Anodized 6061 aluminum
- 1/4-20 tapped holes on ends except 1" length is drilled for 1/4" clearance
- 1/4" clearance hole drilled though center for torquing tool except 1" length
- Manufactured in USA

PRELIMINARY

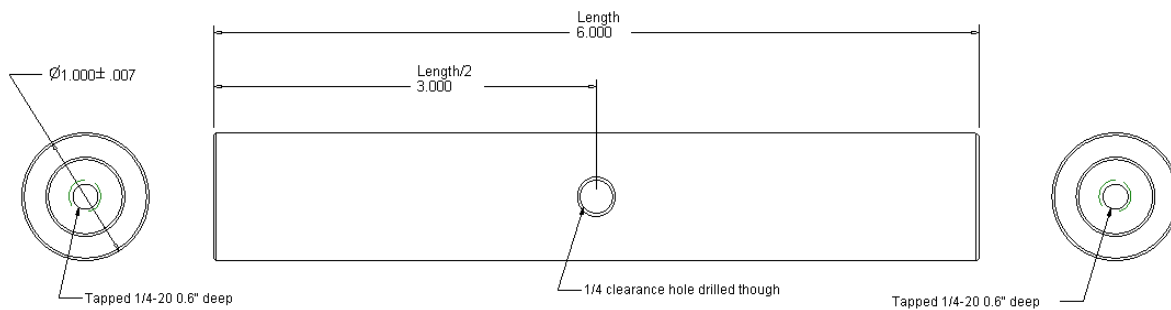
Mechanical Drawing HMSTNDOFF11



Units: Inches
Tolerance: +/- 0.005 except where noted

Mechanical Drawing 2"-12" lengths

Note: 6" standoff shown. For other part numbers replace *Length* value as appropriate.



Units: Inches
Tolerance: +/- 0.005 except where noted

IMPORTANT NOTES

Specifications may change at any time

PRELIMINARY